

The logo for the brand "Nice" is a solid blue square with the word "Nice" written in white, sans-serif font.

AIM Mk3 Series

In-Ceiling Speakers



HIGH PERFORMANCE

Aimable Architectural Speakers with ARC Tweeter Array

The AIM Mk3 Speaker Series is the evolution of decades of innovation and industry-first technology, delivering superior sound quality for home theaters, media rooms, and distributed audio. With an all new cross-over design, aimable woofers and tweeter arrays, advanced materials and acoustic innovations, the AIM Mk3 offers unmatched flexibility and performance.

AIM Mk3 Series

AIMABLE 2-WAY CEILING SPEAKERS

The AIM Mk3 Speaker Series features an updated crossover design with new voicing to support the most demanding, modern audio content. Tailored to deliver explosive dynamics, three dimensional special detail, and rich musicality for high resolution, immersive audio platforms such as Dolby Atmos®, Auro-3D®, and DTS:X®.

NEW Modern Crossover Design

Employs both symmetrical and asymmetrical filtering circuits, which help improve phase coherence, acoustic symmetry, and power handling, delivering a smooth transition between the different frequency bands. The result is better blending of the drivers, smoother frequency response, and improved overall performance.

Innovative, Multiple Tweeter Line Array™

Adapts technology that was once only utilized in large sound reinforcement experiences with the innovative adjustable pivoting ARC Tweeter Array™. Multiple drivers increase the total surface area, reducing distortion while improving power handling and imaging—outperforming traditional single tweeter designs.

Dual-Axis, Arc Pivoting Tweeter Array

Vertical and Horizontal adjustment up to 15 degrees, allowing precise, high-frequency aiming tailored to the space and listener's needs

WavePlane™ Technology

Complementing the ARC Tweeter Array is the WavePlane™ technology, which acts as an acoustic lens for improved off-axis response, focusing the high-frequency energy to a cleaner, wider sound.



SC-AIM**275**-Mk3

7" Kevlar Woofer

Four 5/8" Aluminum/Magnesium
Dome Tweeters



SC-AIM**285**-Mk3

8" Kevlar Woofer

Two 3/4" / Two 5/8" Aluminum/Magnesium
Dome Tweeters

AIM Mk3 Series

AIMABLE 2-WAY CEILING SPEAKERS

Aimable Woofers

The enhanced aim-ability of both woofer and tweeters presents new options for sound design—from home theater to whole home audio. Flexible integration with room characteristics helps to mitigate unwanted resonances and improve sonic image. Sound can be directed to a specific section of a room, angled toward a seating area, or wherever audio impact is desired.

Optimal Sound Dispersion

Vortex Eliminators disperse sound as it reaches the outer edge of the speaker baffle. Acoustically, this moves the speaker closer to the surface of the ceiling, improving the overall dispersion of sound and eliminating any tunnel effect found in other ceiling speakers.

Stable, Longer Lasting Installations

While the front of the speaker gets most of the deserved attention, the back of this speaker delivers game-changing technologies as well. The design leverages Acoustic Isolation Technology™ to decouple the speaker housing from the surrounding materials, providing a more acoustically repeatable installation while improving sound transference to the listening area by eliminating structural resonance created by the surrounding wall or ceiling.

The minimized resonance transfer is achieved using co-molded, lower density compounds, which sets the AIM Mk3 Series apart from other speakers in the industry. You hear the speaker as it is meant to sound—not colored by the resonance of the material on which it is mounted.



SC-AIM**252**-Mk3

5.25" Glass Fiber Woofer

Three 5/8" Silk Dome Tweeters



SC-AIM**272**-Mk3

7" Glass Fiber Woofer

Four 5/8" Silk Dome Tweeters



SC-AIM**282**-Mk3

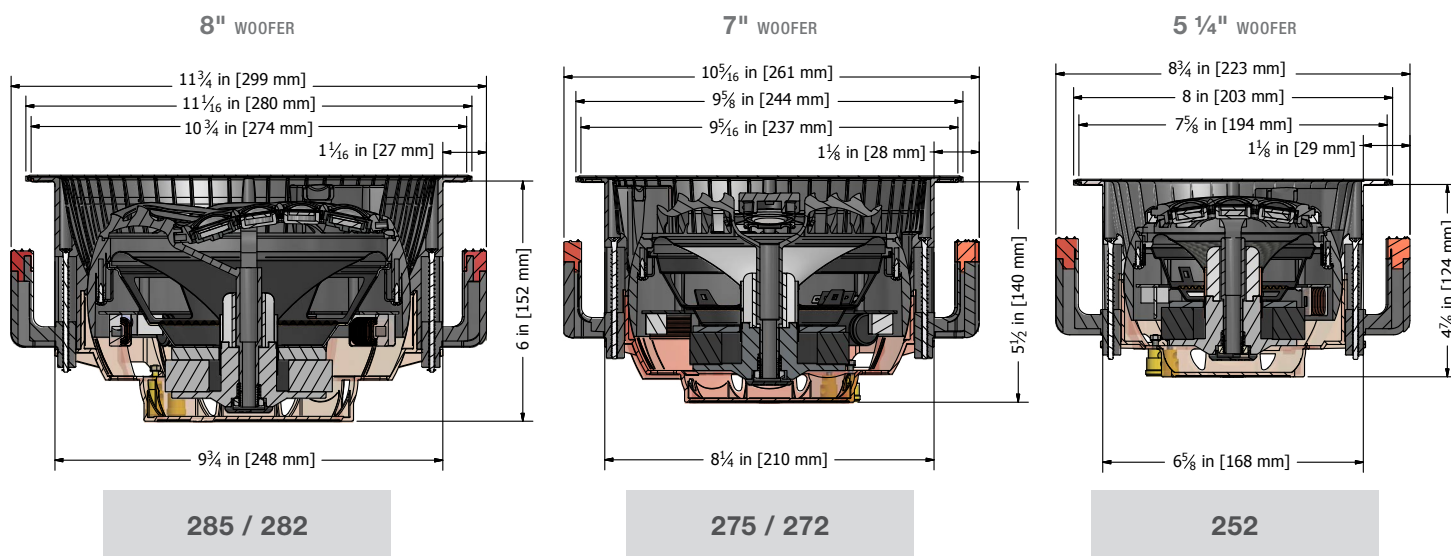
8" Glass Fiber Woofer

Two 3/4" / Two 5/8" Silk Dome Tweeters

AIM Mk3 Series Aimable In-Ceiling Speakers

Specifications

	SC-AIM285-Mk3	SC-AIM275-Mk3	SC-AIM282-Mk3	SC-AIM272-Mk3	SC-AIM252-Mk3
	285	275	282	272	252
Type	8" 2-Way	7" 2-Way	8" 2-Way	7" 2-Way	5 1/4" 2-Way
Power Handling	175	150	150	125	100
Frequency Response	33Hz-20kHz	35Hz-20kHz	37Hz-20kHz	40Hz-20kHz	42Hz-20kHz
Impedance	8 Ohm Nominal	8 Ohm Nominal	8 Ohm Nominal	8 Ohm Nominal	8 Ohm Nominal
Sensitivity dB @1W-1M	90 dB	90 dB	87 dB	88 dB	87 dB
Crossover Type	Asymmetrical 2nd/3rd Order Linkwitz Riley	Asymmetrical 2nd/3rd Order Linkwitz Riley	Symmetrical 2nd Order Butterworth	Symmetrical 2nd Order Butterworth	Symmetrical 2nd Order Butterworth
Woofer Size	8"	7"	8"	7"	5 1/4"
Pivoting Woofer	Yes	Yes	Yes	Yes	Yes
Woofer Material	Kevlar	Kevlar	Glass Fiber	Glass Fiber	Glass Fiber
Tweeter Sizes	2 x 3/4" / 2 x 5/8"	4 x 5/8"	2 x 3/4" / 2 x 5/8"	4 x 5/8"	3 x 5/8"
Pivoting Tweeters	Yes	Yes	Yes	Yes	Yes
359° Rotational Adjustability	Yes	Yes	Yes	Yes	Yes
Tweeter Material	Aluminum/Magnesium	Aluminum/Magnesium	Silk	Silk	Silk
Dialog Switch	Yes	Yes			
Tweeter Level Switch	Yes	Yes	Yes	Yes	Yes



Scan for more Information

Niceforyou.com

Nice